

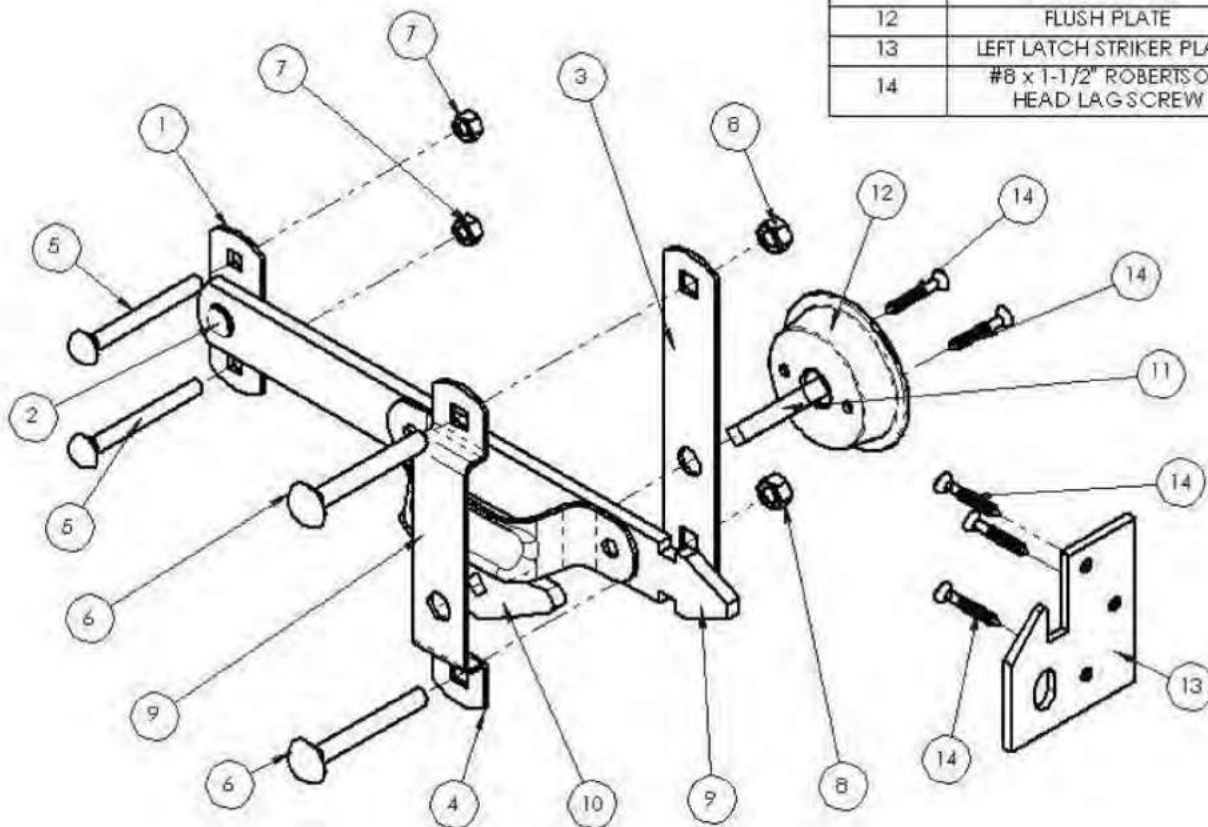
Flush Latch Installation Instructions

The door has already been mounted and shimmed, and the jam is flush to the door front and the gap between the door and jam on the latch side is 1/2" or less.

STEP 1

Check the kit to verify all parts are included.

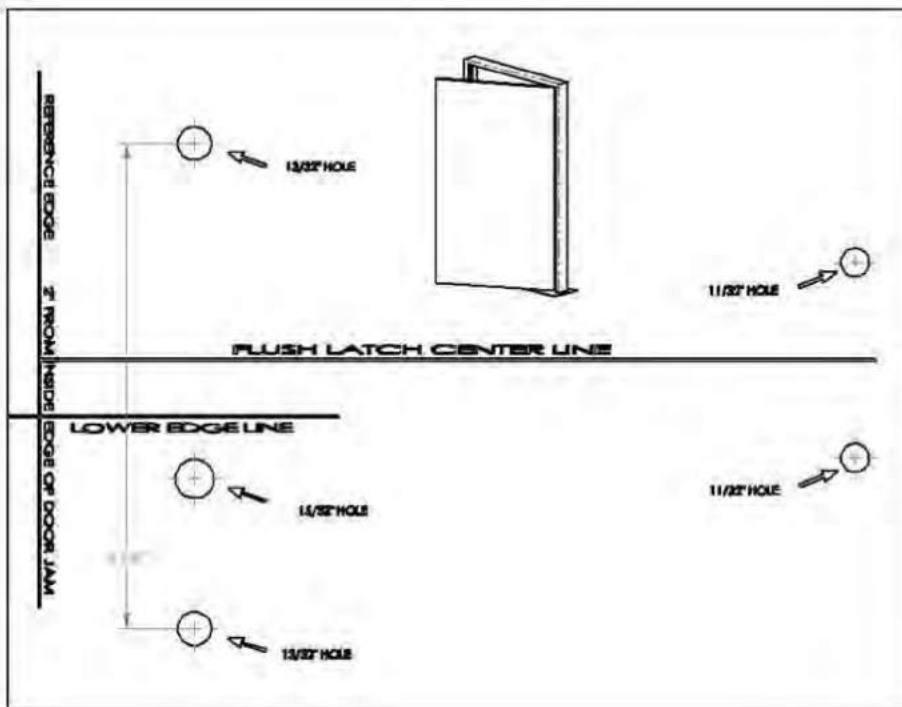
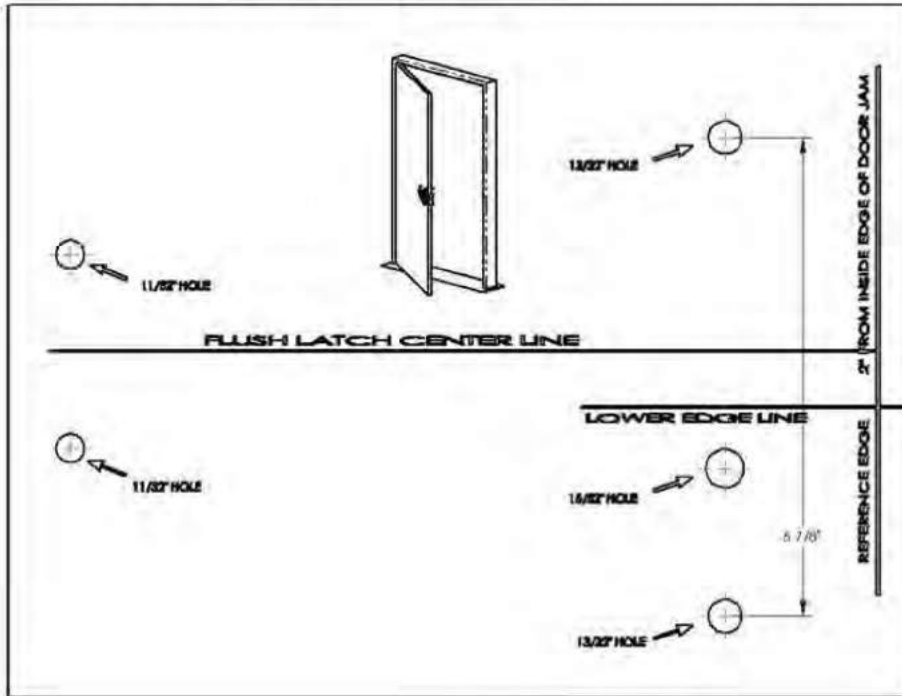
ITEM NO.	DESCRIPTION	Exploded View with all Parts and Hardware/QTY.
1	LATCH PIVOT PLATE	1
2	SWING PIN	1
3	LATCH PIVOT BASE PLATE	1
4	LATCH PIVOT TOP PLATE	1
5	5/16" CARRIAGE BOLT x 3"	2
6	3/8" CARRIAGE BOLT x 3"	2
7	5/16" NUT	2
8	3/8" NUT	2
9	SWING WELDMENT	1
10	FLUSH PIVOT LATCH CAM	1
11	FLUSH HANDLE	1
12	FLUSH PLATE	1
13	LEFT LATCH STRIKER PLATE	1
14	#8 x 1-1/2" ROBERTSON HEAD LAG SCREW	5



STEP 2

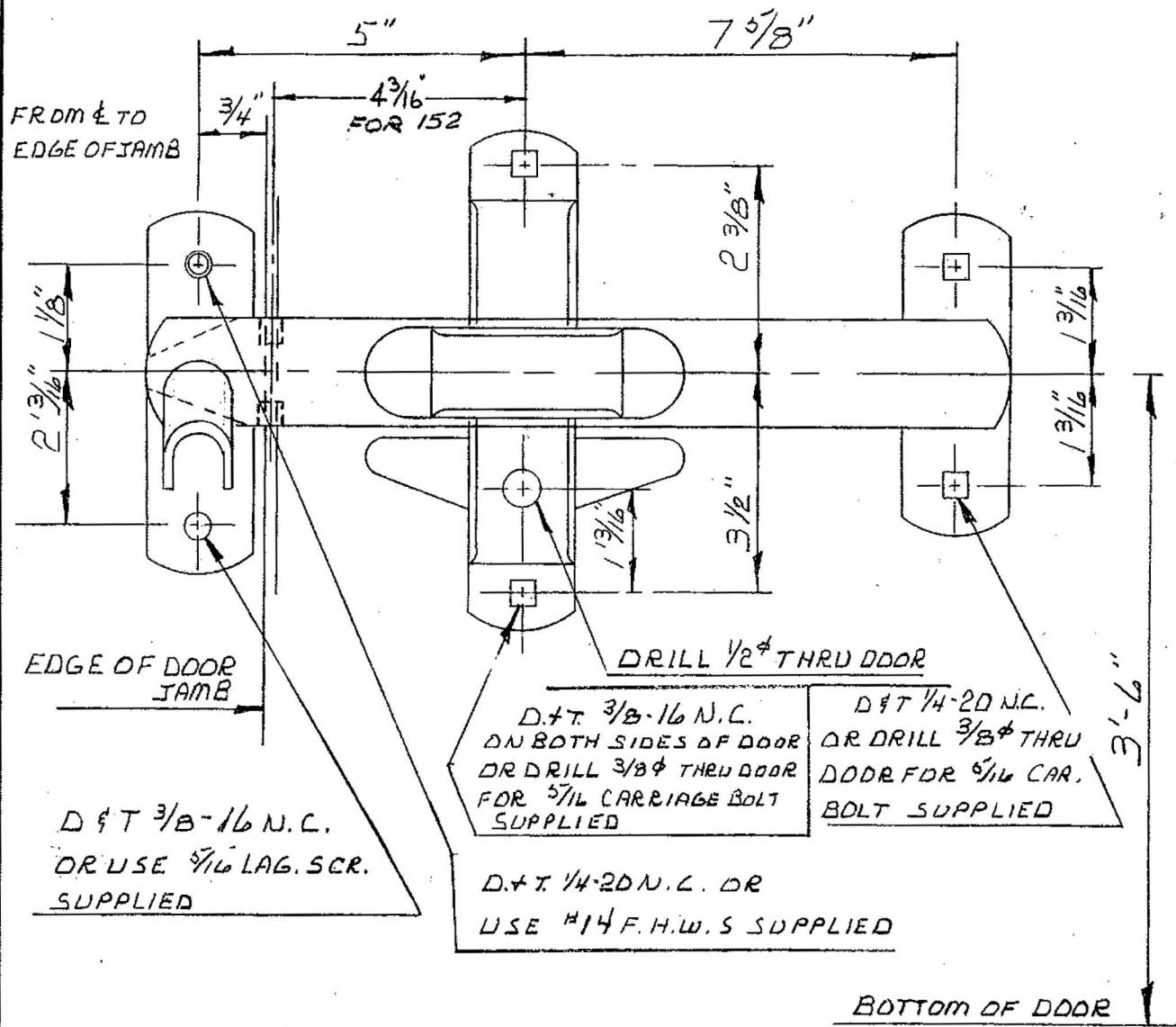
Pick the appropriate Template for door opening direction. See full size 8-1/2" x 11" sheets. (Print PDF file at 1:1 scale, NOT fit to sheet).

Check that template is accurate by verifying 5-7/8" dimension with tape measure.



ATT: KIDREL

TEMPLATE FOR # 125 & 152 LATCH



NOTE:

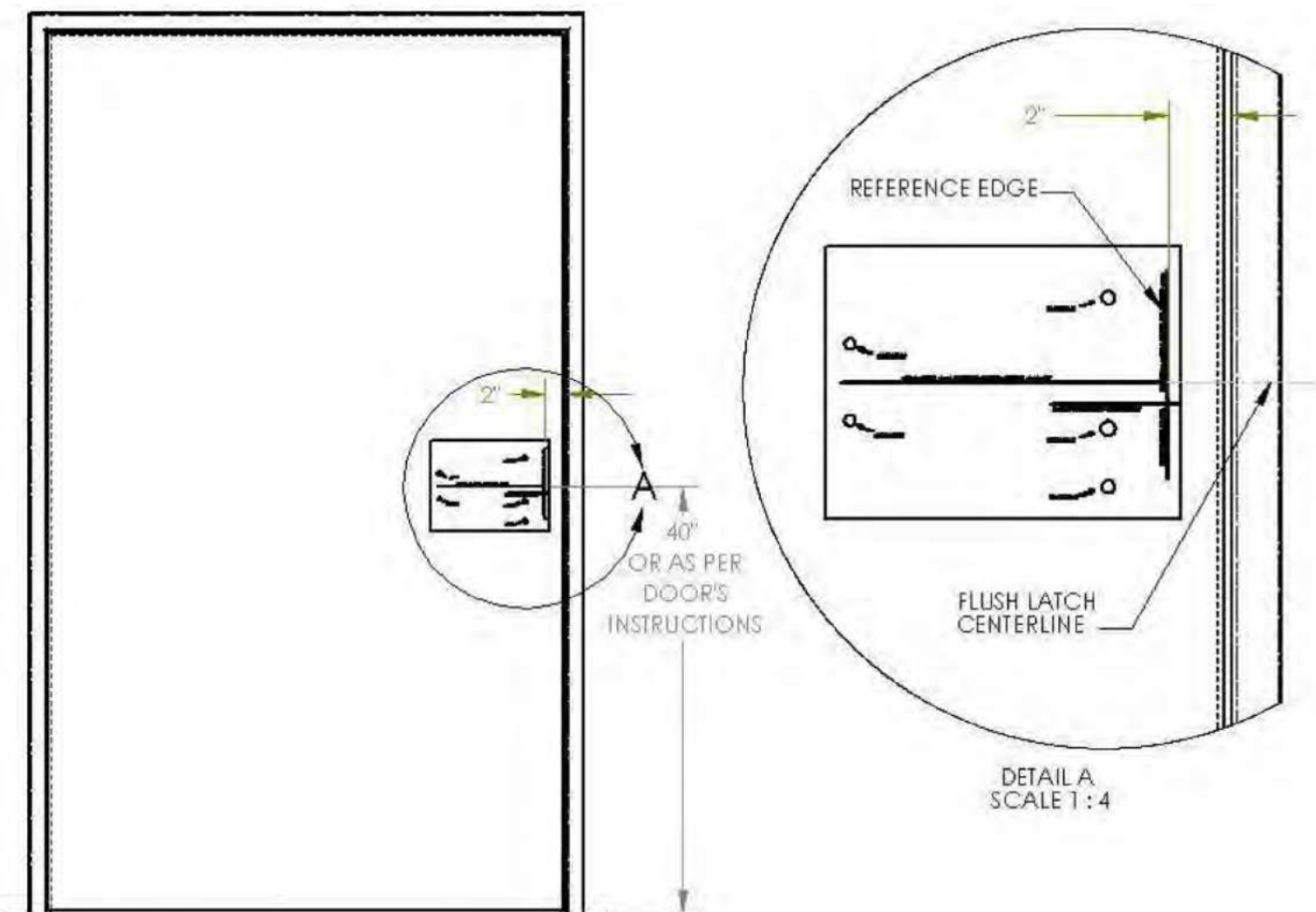
FOR KEEPER USE 114-0118/3 AS TEMP.

ISSUE	ISSUED BY	REVISION	DATE	APPR.
ORIGINATED BY S.A.C.	DATE APR. 6-66	CHECKED KJJ	APPR.	SHEET
Richards-Wilcox company				DS-64024

STEP 3

Place Template on door;

- 2" from inside of Door Jam to **Reference Edge**.
- * 40" from floor to **Flush Latch Centerline**
 - Height depends on application, check door instructions



STEP 4

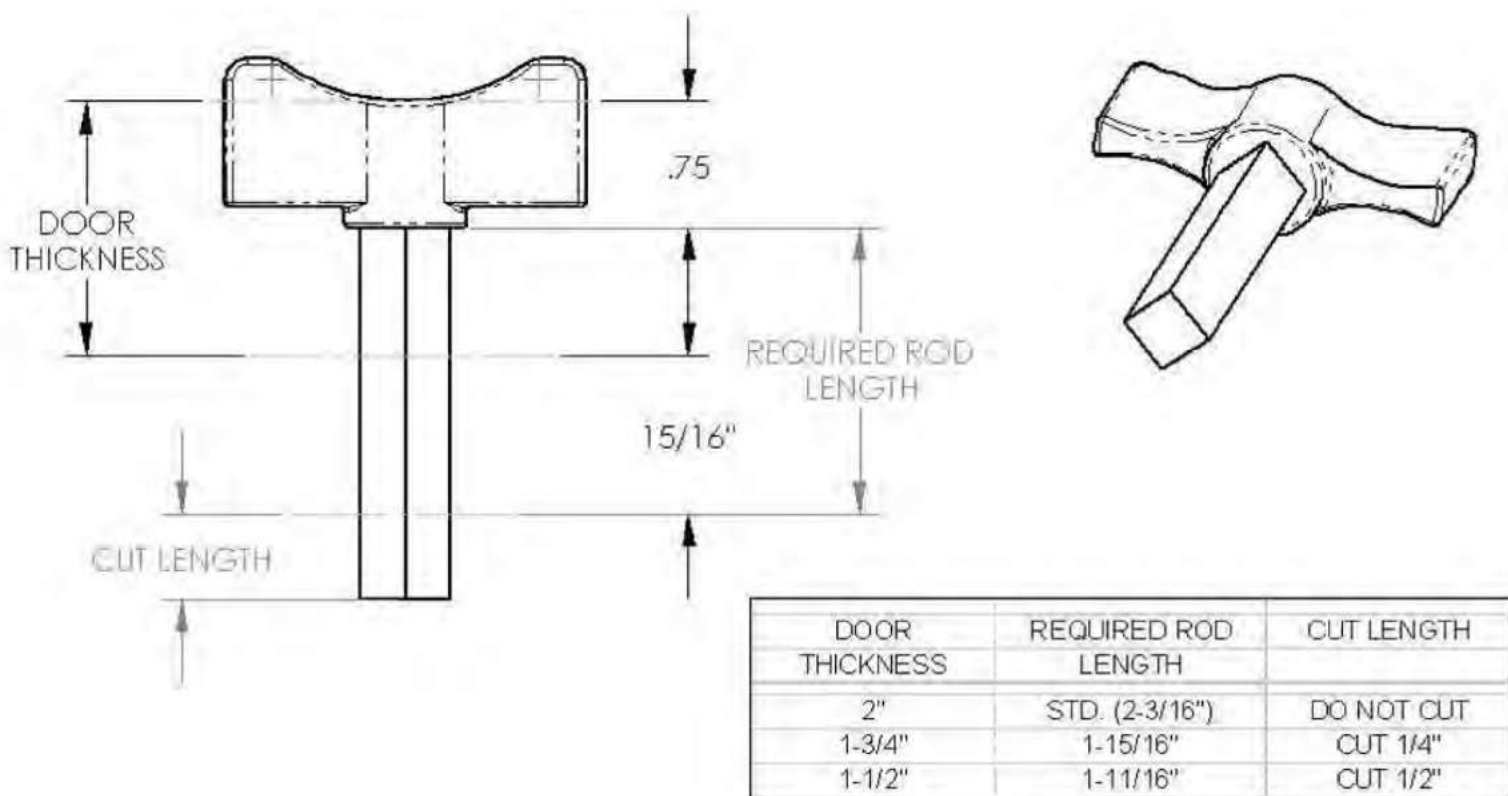
Use an Awl or Center Punch to mark the hole locations by punching through the paper template and into the door.

- Drill through the door with
- 1x 15/32" hole (for Flush Handle)
 - 2x 13/32" holes (for 3/8" Carriage Bolts)
 - 2x 11/32" holes (for 5/16" Carriage Bolts)

As shown on template

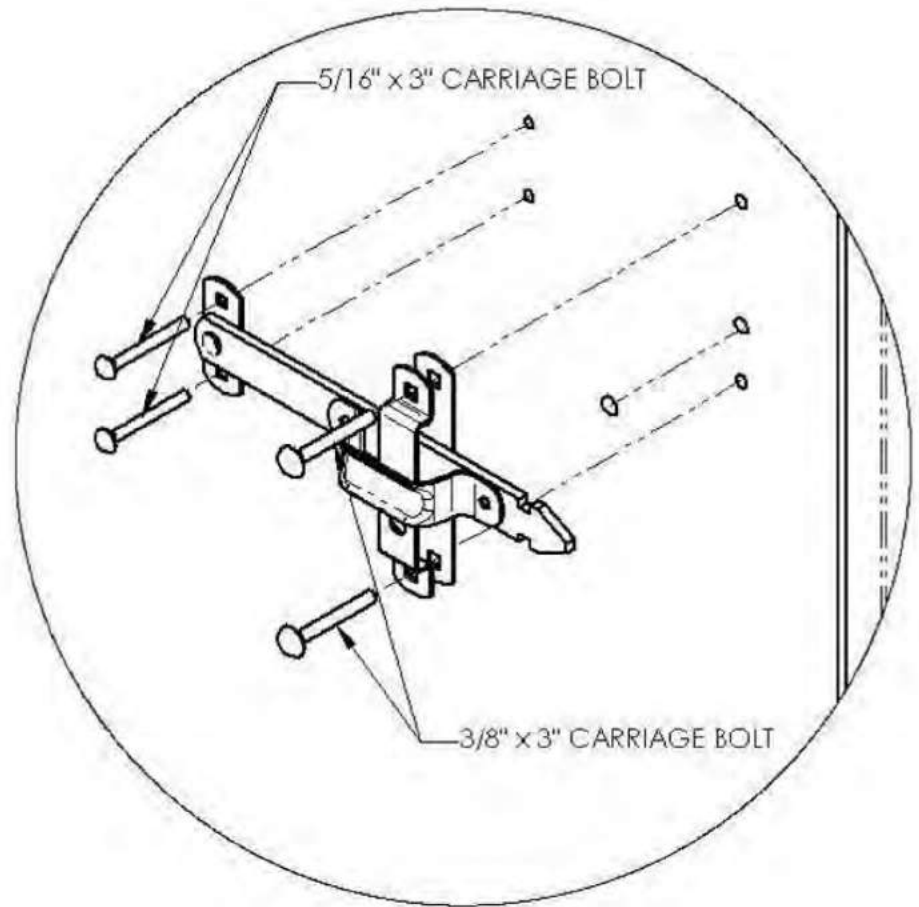
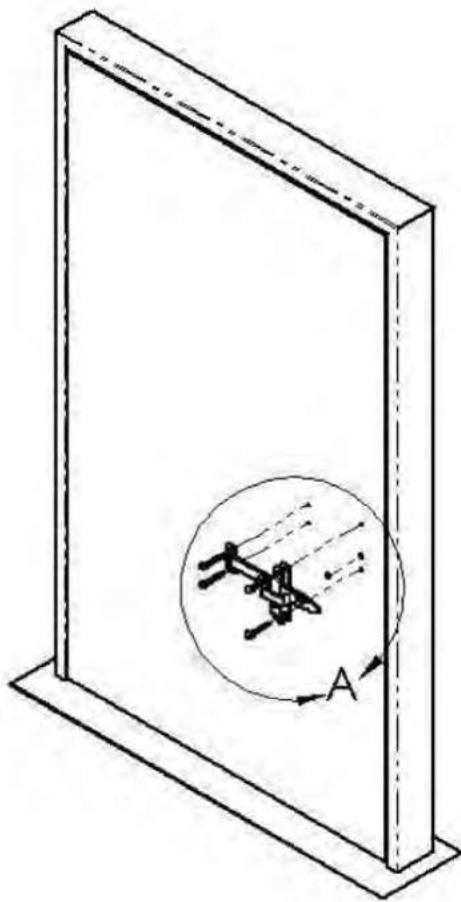
STEP 5

Cut **Flush Handle** Rod to appropriate length, based on door thickness.



STEP 6

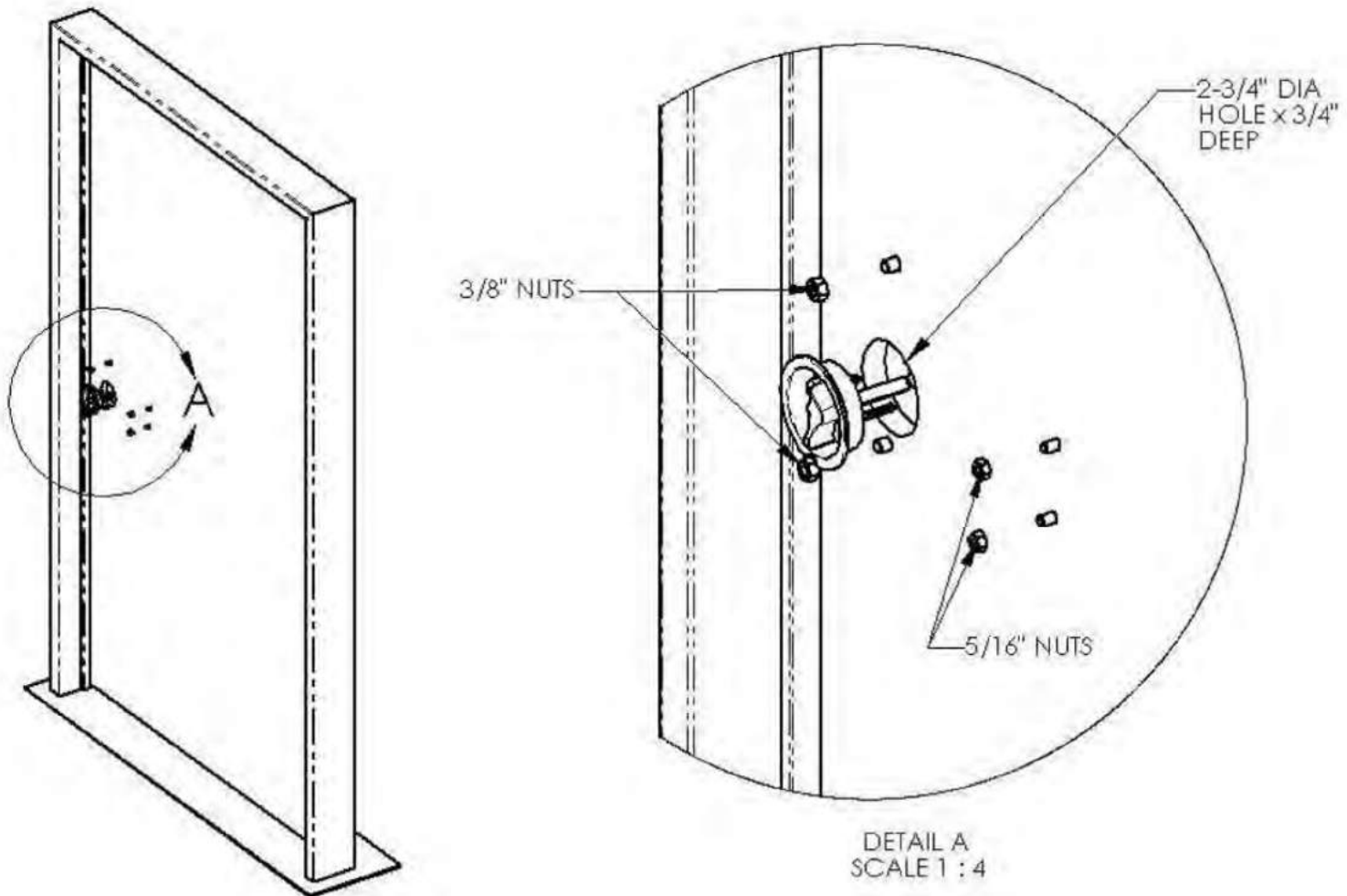
Attach Latch to the door front using the provided hardware.



DETAIL A
SCALE 1 : 4

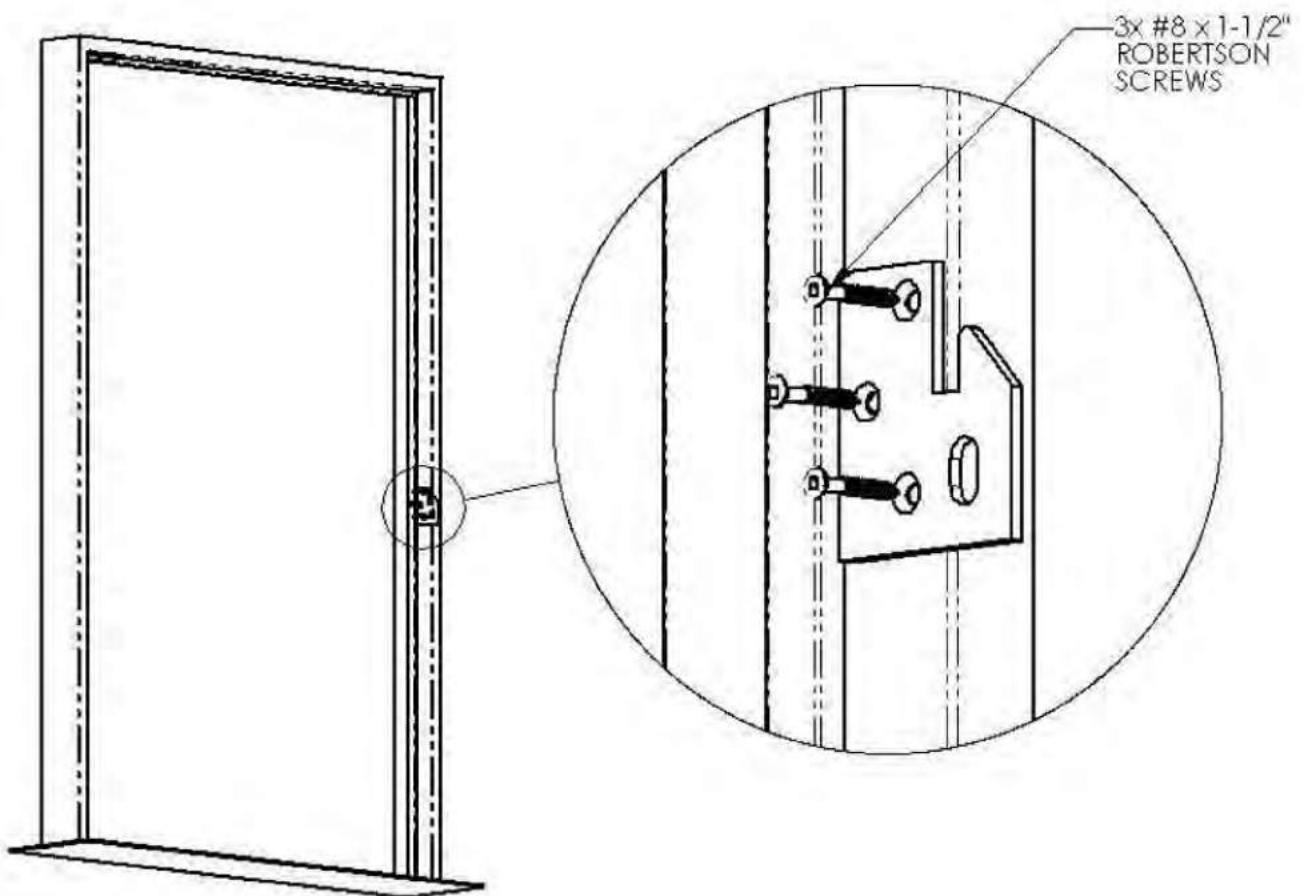
STEP 7

Using a 2-3/4" Diameter Hole Saw and Electric Drill, bore a 3/4" deep hole into the door in line with the middle 15/32" hole that you drilled from the far side. Slide the **Flush Handle & Flush Plate** Assembly in through this hole. Make sure to install the **Flush Pivot Latch Cam** on the other side of the door as you slide the assembly in. Fasten with nuts on back side of door as shown. Secure the Flush Plate with the 2 x - #8 x 1-1/2" Robertson Head Lag Screws.



STEP 8

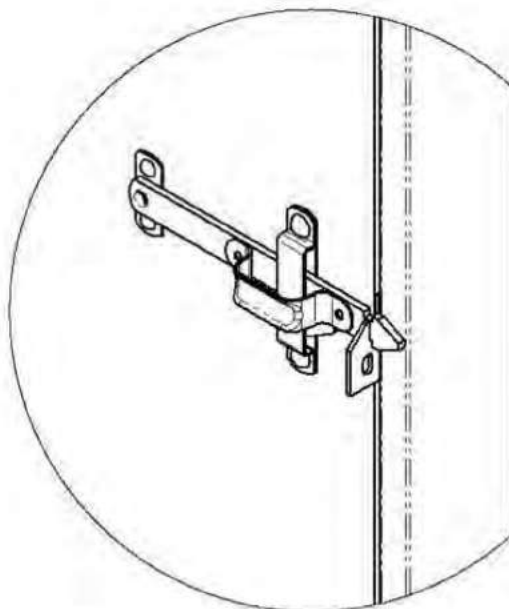
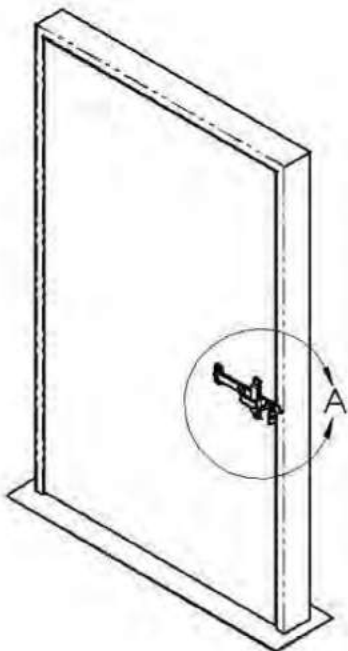
Line up **Striker Plate** with the notch in the bottom of the **Swing Weldment** and centered on the Door Jam. Mark the hole locations with an Awl or Center Punch as before and drill 3x – 3/16" holes as shown. Insert the #8 x 1-1/2" Robertson Screws to secure.



DETAIL C
SCALE 1 : 2

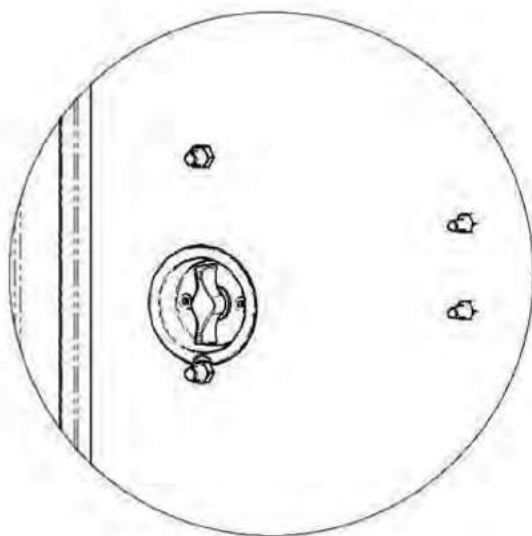
STEP 9

Completed Flush Latch on Door shown from the front.

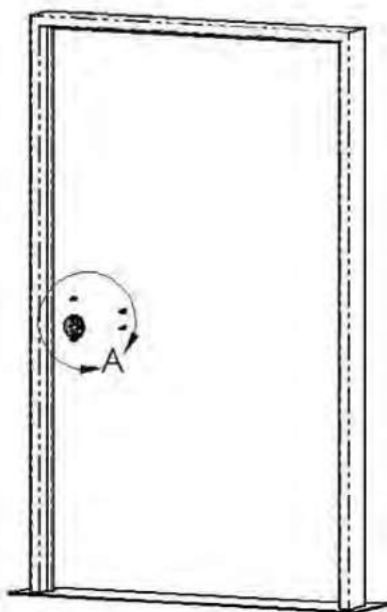


DETAIL A
SCALE 1 : 4

...and the back.



DETAIL A
SCALE 1 : 3



Finished!